



Engine

Make and Model	Cummins N14C-335
Max Horsepower	335 @ 2100 RPM
Max Torque	1130 Ft/Lbs @ 1400 RPM
Bore and Stroke	5.5" x 6"
No. of Cylinders	6
Displacement	855 Cu/In (14.6 liters)

Air Cleaner

Donaldson Two Stage Dry Type

Electrical System

Type	24 Volt Negative Ground/24 Volt Start
Alternator	100 AMP
Circuit Breakers (lights)	30 AMP
Circuit Breakers (accessory)	20 AMP
Batteries (2)	12 Volt-8D @ 205 AMP Hr. each

Torque Converter

Clark 8000 Series Single Stage, 3 Elements

Transmission

Clark 5000 Series Power Shift - Spur Gear; 4 Speeds Fwd/Rev

Range	Ratio	Speed (Unladen)
1	4.09:1	4.4 mph (7.1 km/h)
2	2.27:1	7.6 mph (12.2 km/h)
3	1.29:1	12.7 mph (20.4 km/h)
4	0.72:1	Blocked

Axles

Fabricated Housing	Allied Wagner
Make	Clark
Model (Chassis)	FD-85501 Series
Type	Planetary
Brakes	Air over Hydraulic Disc
Brake Size	32" Diameter (813mm)

Tires

Size (Front)	33.5 x 33-44PR
Size (Rear)	23.5 x 25-20PR

Hydraulic System

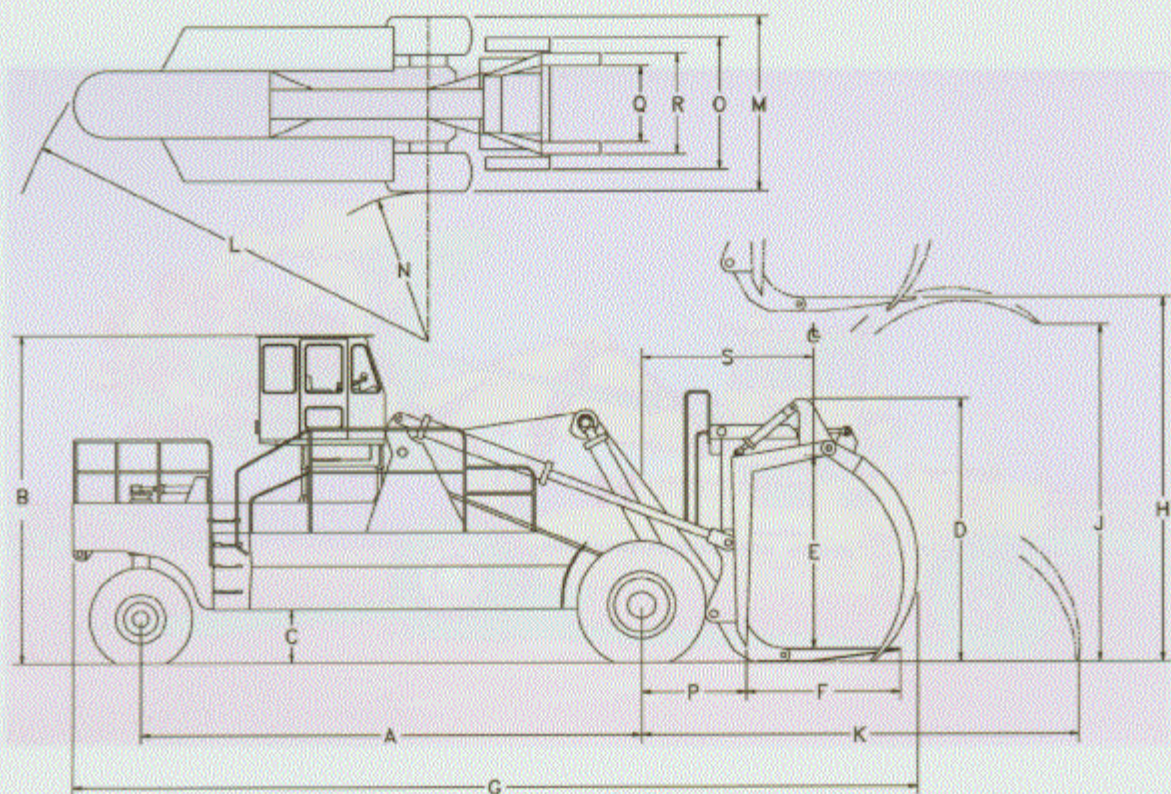
"Power Beyond" hydraulics with total capacity of all pumps in the system for multiple use simultaneously. Function controls are air over hydraulic or optional hydraulic over hydraulic.

Steering Cylinder (2)	4" x 20" (102mm x 508mm)
Hoist Cylinder (2)	10" x 92" (254mm x 2718mm)
Tilt Cylinder (2)	10" x 52" (254mm x 1295mm)
Holddown Cylinder (2)	6" x 34" (152mm x 864mm)
Kickoff Cylinder (2)	6" x 26" (152mm x 864mm)

Service Refill Capacities

Fuel Tank	450 Gals (1703 liters)
Hydraulic Oil	334 Gals (1264 liters)
Crankcase w/Filter	11 Gals (42 liters)
Cooling System	22.5 Gals (85 liters)

L90S



Dimensions (approximate)

A. Wheelbase	26' 0" (7925mm)	K. Distance from Axle to Holddown	
B. Height to Top of Cab	17' 3" (5258mm)	Tip for Reach	26' 0" (7925mm)
C. Ground Clearance Chassis	2' 6" (762mm)	L. Turning Radius Tail Swing	35' 6" (10820mm)
D. Carriage Height	15' 0" (4572mm)	M. Width Outside Chassis Tires	14' 8" (4470mm)
E. Mouth Opening	11' 0" (3352mm)	N. Inside Turning Radius	13' 9" (4191mm)
F. Tine Length	9' 0" (2743mm)	O. Carriage Width	11' 1" (3378mm)
G. Overall Length	43' 10" (13360mm)	P. Axle to Face of Carriage - Hoist Down	7' 4" (2235mm)
H. Ground to Fork-Hoist Up	16' 6" (5029mm)	Q. Width Inside of Tines	6' 5" (1956mm)
J. Ground to Holddown Tip		R. Width Outside of Tines	8' 6" (2591mm)
Carriage Down/Holddown Up	16' 2" (4928mm)	S. Axle Centerline to Load Center	11' 0" (3607mm)

Weights and Functions (approximate)

Unit Weight	130,000 lbs (59,090 kg)	Forward Tilt @ Ground Level	45°
Drive End	84,000 lbs (38,180 kg)	Forward Tilt @ Max Height	24°
Tail End	46,000 lbs (20,910 kg)	Backward Tilt @ Ground Level	15°
Rated Lift Capacity 54"LC	90,000 lbs (40,823 kg)	Backward Tilt @ Max Height	45°
Rated Lift Capacity 54"LC With 36" Extension	70,000 lbs (31,752 kg)		

Wagner

A Division of Allied Systems Company

2300 Oregon Street
 Sherwood, Oregon 97140 USA
 Telephone: 503.625.2560 • Fax: 503.625.7980
 E-mail: wagner@alliedsystems.com

www.alliedsystems.com

SUN MACHINERY COMPANY
 P. O. BOX 789
 LEXINGTON, S. C. 29072
 (803) 359-1000

P. O. BOX 1096
 TIOGA, LA 71477
 (318) 640-8820