

Wagner

A Division of Allied Systems Company

L490C



Engine

Make and Model Cummins N14C-450
 Max Horsepower 450 @ 2100 RPM
 Max Torque 1500 Ft/Lbs @ 1400 RPM
 Bore and Stroke 5.5" x 6"
 No. of Cylinders 6
 Displacement 850 Cu/In (14.6 liters)
 Optional Engine CAT C-15 @ 450HP

Air Cleaner

Donaldson Two Stage Dry Type

Electrical System

Type 24 Volt Negative Ground/24 Volt Start
 Alternator 100 AMP
 Circuit Breakers (lights) 30 AMP
 Circuit Breakers (accessory) 20 AMP
 Batteries (2) 12 Volt-8D @ 205 AMP Hr. each

Torque Converter

Clark 8000 Series Single Stage, 3 Elements

Transmission

Clark 8000 Series Power Shift - Spur Gear; 4 Speeds Fwd/Rev

Range	Ratio	Speed (Unladen)
1	4.07:1	4.4 mph (7.1 km/h)
2	2.27:1	7.6 mph (12.2 km/h)
3	1.29:1	12.7 mph (20.4 km/h)
4	0.77:1	Blocked

Axles

Fabricated Housing Allied Wagner
 Make Clark
 Model (Chassis) FD-85501 Series
 Model (Bogie) FD-75720 Series
 Type Planetary
 Brakes Hydraulic Dry Disc
 Brake Size 32" Diameter (813mm)

Tires

Size (Front) 33.5 x 33-44PR
 Size (Front - Optional Duals) 24.00 x 35-36PR
 Size (Rear, with Singles) 29.5 x 29-22PR
 Size (Rear, with Duals) 29.5 x 25-22PR

Hydraulic System

"Power Beyond" hydraulics with total capacity of all pumps in the system for multiple use simultaneously. Function controls are air over hydraulic or optional hydraulic over hydraulic.

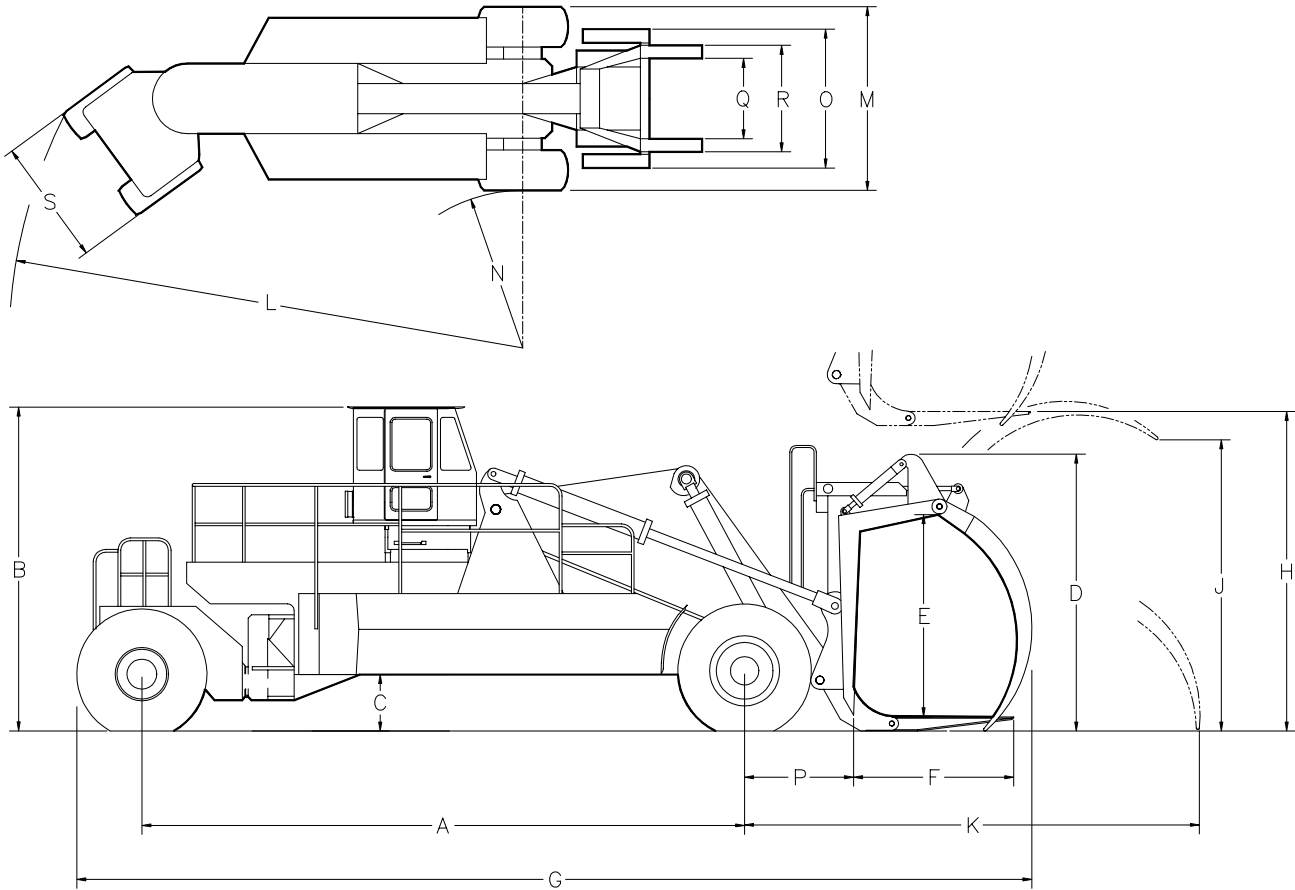
Steering Cylinder (2) 5" x 32" (127mm x 813mm)
 Hoist Cylinder (2) 10" x 107" (254mm x 2718mm)
 Tilt Cylinder (2) 10" x 51" (254mm x 1295mm)
 Holddown Cylinder (2) 6" x 34" (152mm x 864mm)
 Kickoff Cylinder (2) 6" x 34" (152mm x 864mm)

Service Refill Capacities

Fuel Tank 425 Gals (1609 liters)
 Hydraulic Oil 334 Gals (1264 liters)
 Crankcase w/Filter 11 Gals (42 liters)
 Cooling System 24 Gals (91 liters)

Specifications are subject to change without notice or obligation

L490C



Dimensions (approximate)

A. Wheelbase	30' 0" (9144mm)	K. Distance from Axle to Holddown	
B. Height to Top of Cab	15' 6" (4724mm)	Tip for Reach	26' 11" (8204mm)
C. Ground Clearance Chassis	2' 10" (800mm)	L. Turning Radius Tail Swing	50' 6" (15392mm)
D. Carriage Height	15' 4" (4673mm)	M. Width Outside Chassis Tires (Single)	14' 8" (4470mm)
E. Mouth Opening	10' 10" (3302mm)	Width Outside Chassis Tires (Dual)	16' 8" (5080mm)
F. Tine Length	9' 0" (2743mm)	N. Inside Turning Radius	32' 0" (9754mm)
G. Overall Length	49' 0" (14935mm)	O. Carriage Width	10' 5" (3175mm)
H. Ground to Fork-Hoist Up	19' 0" (5791mm)	P. Axle to Face of Carriage - Hoist Down	5' 9" (1753mm)
J. Ground to Holddown Tip		Q. Width Inside of Tines	5' 7" (1702mm)
Carriage Down/Holddown Up	18' 0" (5486mm)	R. Width Outside of Tines	8' 2" (2489mm)
		S. Width Outside Bogie Tires	9' 11" (3022mm)

Weights and Functions (approximate)

Unit Weight	138,500 lbs (62,824 kg)	Forward Tilt @ Ground Level	43°
Drive End	92,500 lbs (41,958 kg)	Forward Tilt @ Max Height	24°
Tail End	46,000 lbs (20,866 kg)	Backward Tilt @ Ground Level	15°
Rated Lift Capacity 48"LC	90,000 lbs (40,823 kg)	Backward Tilt @ Max Height	43°

wagner

A Division of Allied Systems Company

2300 Oregon Street
 Sherwood, Oregon 97140 USA
 Telephone: 503.625.2560 • Fax: 503.625.7980
 E-mail: wagner@alliedsystems.com
www.alliedsystems.com