

# Wagner

A Division of Allied Systems Company

## L130E



### Engine

Make and Model ..... Caterpillar C15  
 Max Horsepower ..... 525 @ 2100 rpm  
 Max Torque ..... 1700 Ft/Lbs  
 Bore and Stroke ..... 5.4" x 6.5"  
 No. of Cylinders ..... 6  
 Displacement ..... 893 Cu/In (15 liters)

### Air Cleaner

Donaldson Two Stage Dry Type

### Electrical System

Type ..... 24 Volt Negative Ground/24 Volt Start  
 Alternator ..... 100 AMP  
 Circuit Breakers (lights) ..... 30 AMP  
 Circuit Breakers (accessory) ..... 20 AMP  
 Batteries (2) ..... 12 Volt-8D @ 205 AMP Hr. each

### Torque Converter

Clark Single Stage, 3 Elements

### Transmission

Clark 8421 Series Power Shift - Spur Gear; 4 Speeds Fwd and Rev.

Range	Ratio	Speed (Unladen)
1	4.07:1	2.9 mph (4.7 km/h)
2	2.26:1	4.8 mph (7.7 km/h)
3	1.29:1	8.0 mph (12.9 km/h)
4	.71:1	13.0 mph (21.0 km/h)

### Axles

Fabricated ..... Allied Wagner  
 Model ..... Quad Reduction DA-205  
 Type ..... Planetary  
 Brakes ..... Hydraulic Dry Disc  
 Chassis ..... 1.25" x 40" Dia. (32mm x 1016mm)

### Tires

Size (Front) ..... (Dual)27.00 x 49-42PR  
 Size (Rear) ..... 26.5 x 25-24PR

### Hydraulic System

"Power Beyond" hydraulics with total capacity of all pumps in the system for multiple use simultaneously. Function controls are hydraulic over hydraulic.

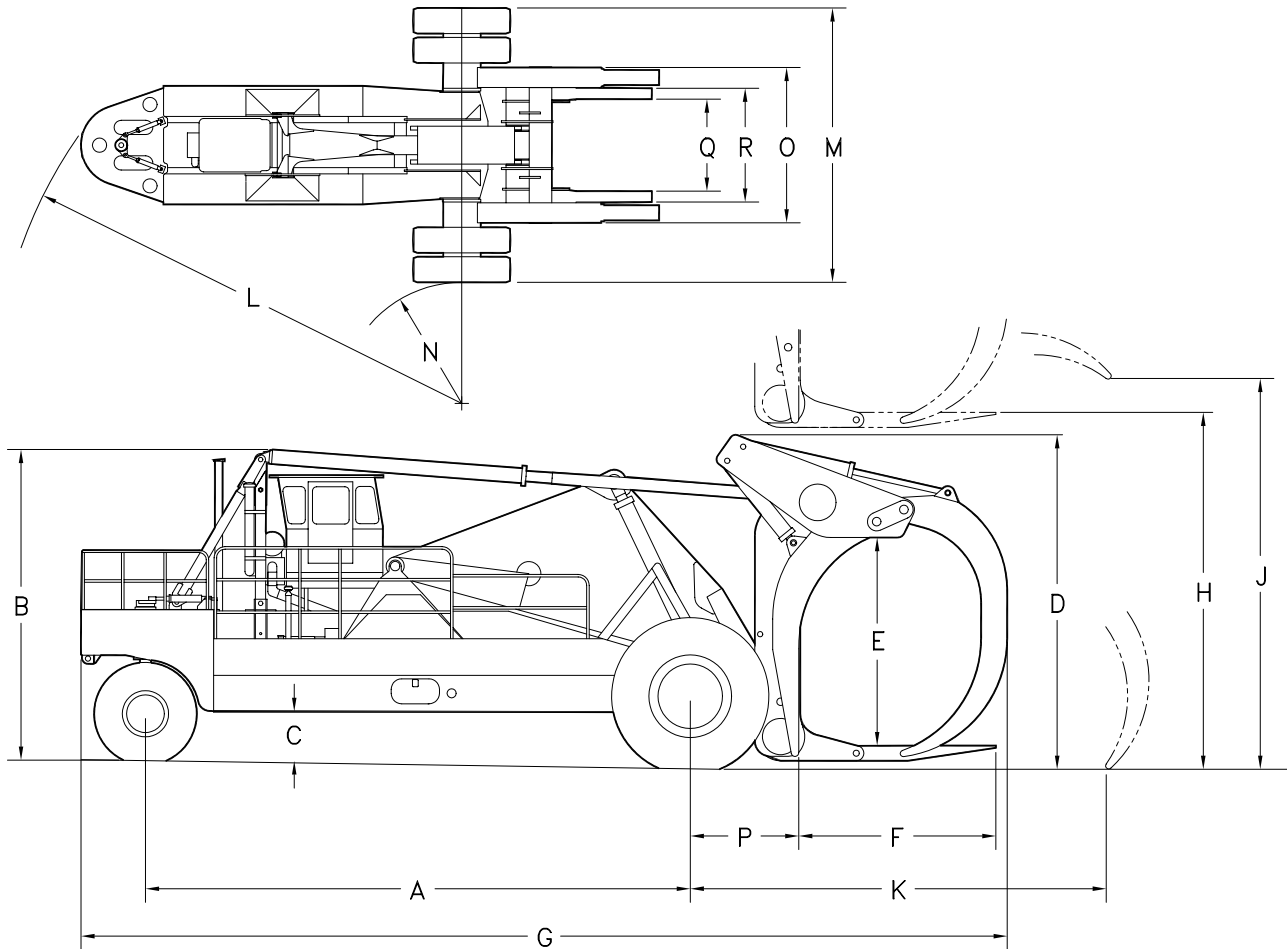
Steering Cylinder (2) ..... 4" x 20" (101mm x 508mm)  
 Hoist Cylinder (2) ..... 10" x 124" (254mm x 3150mm)  
 Tilt Cylinder (2) ..... 9" x 136" (229mm x 3454mm)  
 Holddown Cylinder (2) ..... 9" x 58" (229mm x 1473mm)  
 Kickoff Cylinder (2) ..... 9" x 44" (229mm x 1118mm)

### Service Refill Capacities

Fuel Tank ..... 450 Gals (1609 liters)  
 Hydraulic Oil ..... 350 Gals (1325 liters)  
 Crankcase w/Filter ..... 13 Gals (49 liters)  
 Cooling System ..... 24 Gals (91 liters)

Specifications are subject to change without notice or obligation.

# L130E



## Dimensions (approximate)

A. Wheelbase .....	30' 0" (9144mm)	K. Reach - Axle to Holddown Tip .....	24' 0" (7315mm)
B. Height to Top of Cab .....	17' 0" (5182mm)	L. Turning Radius Tail Swing .....	40' 0" (12192mm)
C. Ground Clearance Chassis .....	2' 9" (838mm)	M. Width Outside Chassis Tires .....	24' 2" (7366mm)
D. Carriage Height .....	18' 4" (5588mm)	N. Inside Turning Radius .....	10' 0" (3048mm)
E. Mouth Opening .....	11' 8" (3556mm)	O. Carriage Width .....	13' 4" (4064mm)
F. Tine Length .....	11' 0" (3353mm)	P. Axle to Face of Carriage - Hoist Down .....	6' 0" (1830mm)
G. Overall Length .....	49' 2" (14940mm)	Q. Width Inside of Tines .....	8' 0" (2438mm)
H. Ground to Fork-Hoist Up .....	19' 2" (5842mm)	R. Width Outside of Tines .....	10' 0" (3048mm)
J. Ground to Holddown Tip - Hoist Up .....	22' 6" (6858mm)		

## Weights and Functions (approximate)

Unit Weight .....	205,800 lbs (93,351 kg)	Forward Tilt @ Ground Level .....	30°
Drive End .....	137,800 lbs (62,506 kg)	Forward Tilt @ Max Height .....	19°
Tail End .....	68,000 lbs (30,845 kg)	Backward Tilt @ Ground Level .....	30°
Rated Lift Capacity 72"LC .....	130,000 lbs (58,968 kg)	Backward Tilt @ Max Height .....	44°

# wagner

A Division of Allied Systems Company

2300 Oregon Street  
 Sherwood, Oregon 97140 USA  
 Telephone: (503) 625-2560 Fax: (503) 625-7980  
 E-mail: [wagner@alliedsystems.com](mailto:wagner@alliedsystems.com)  
[www.alliedsystems.com](http://www.alliedsystems.com)