

SPECIFICATIONS

L-130B

LUMBERJACK



ENGINE

Make & Model. CUMMINS KT-1150
Max Horsepower. 450 @ 2100 RPM
Max Torque. 1350 ft/lbs
Bore & Stroke 6 1/4" x 6 1/4"
No. of Cylinders. 6
Displacement. 1150 Cu in

AIR CLEANER

Donaldson Two Stage Dry Type

ELECTRICAL SYSTEM

Type 24 Volt start 12 Volt run
Alternator 105 AMP
Circuit Breakers (lights). 30 AMP
Circuit Breakers (access). 20 AMP
Batteries (2). 12 Volt-8D @ 205 AMP Hr. each

TORQUE CONVERTER

Clark Single Stage 3 Elements

TRANSMISSION

Clark 8421-126 Power Shift-Spur Gear: 4 speeds forward and reverse.

Range Forward	Ratio	Speed
1.	4.07:1	2.9 mph 4.7 km/H
2.	2.26:1	4.8 mph 7.7 km/H
3.	1.29:1	8.0 mph 12.9 km/H
4.71:1	13.0 mph 21.0 km/H

AXLES

Fabricated WAGNER
Make of Parts. BRYAN
Model. Quad Reduction DA-205
Type Planetary
Brakes (Disc). Air over Hydraulic
Disc Size. 1.25" x 40" Dia. . . 32 mm x 1016 mm

TIRES

Size (Front) 27.0 x 49-42PR
Size (Rear). 26.5 x 25-26PR

HYDRAULIC SYSTEM

Power beyond type giving total capacity of all pumps in the system for multiple use simultaneously. Function controls are by air over hydraulic:

Steering Cyl.(2) 4" x 20" 102mm x 508mm
Hoist Cyl.(2). 10" x 124" 254mm x 3150mm
Tilt Cyl.(2) 9" x 136" 229mm x 3454mm
Kickoff Cyl.(2). 9" x 44" 229mm x 1118mm
Holddown Cyl.(2) 9" x 58" 229mm x 1473mm

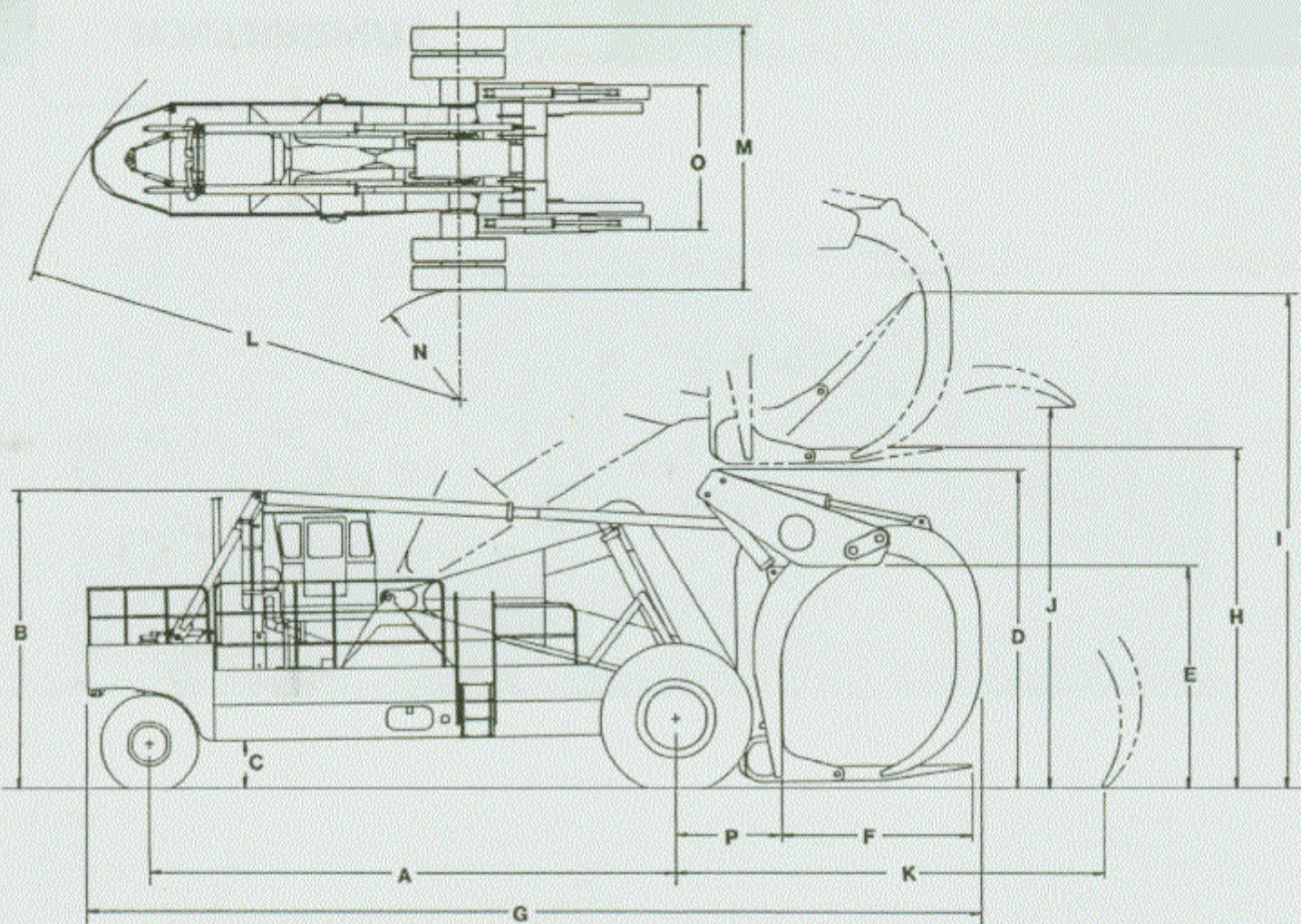
CAPACITIES

Fuel Tank 450 Gals 1703 Liters
Hydraulic Oil 350 Gals 1324 Liters
Crankcase w/Filter. 13 Gals 49 Liters
Cooling System. 22.55 Gals 85 Liters

OPTIONAL EQUIPMENT

Standard and special options are available. Contact your WAGNER dealer for details.

L-130B



DIMENSIONS

A. Wheelbase.	30 ft 0 in	9144 mm
B. Height to Stabilizer Support	17 ft 0 in	5182 mm
C. Ground Clearance Chassis . . .	2 ft 9 in	838 mm
D. Carriage Height.	18 ft 4 in	5588 mm
E. Mouth Opening.	11 ft 8 in	3556 mm
F. Tine Length	11 ft 0 in	3353 mm
G. Overall Length	49 ft 2 in	14940 mm
H. Ground to fork-Hoist up. . . .	19 ft 2 in	5842 mm
I. Fork Tip Max Height.	28 ft 11 in	8814 mm

J. Ground to Holddown tip carriage down/holddown up . . .	22 ft 6 in	6858 mm
K. Distance from axle to holddown tip for reach	24 ft 0 in	7315 mm
L. Turning radius tail swing . . .	40 ft 0 in	12192 mm
M. Width outside chassis tires . .	24 ft 2 in	7366 mm
N. Inside turning radius	10 ft 0 in	3048 mm
O. Carriage Width.	13 ft 4 in	4064 mm
P. Axle to face of carriage - hoist down	6 ft 0 in	1830 mm

WEIGHTS AND FUNCTIONS

Unit Weight	205,800 lbs	93,351 kg
Drive End	137,800 lbs	62,506 kg
Tail End.	68,000 lbs	30,845 kg
Rated Lift Capacity 72"LC . . .	130,000 lbs	58,968 kg
Width Outside of Tines.	10 ft 0 in.	3,048 mm

Width Inside of Tines.	8 ft 0 in.	2,438 mm
Forward tilt @ ground level.	30°	
Forward tilt @ max. height	19°	
Backward tilt @ ground level	30°	
Backward tilt @ max. height.	44°	

Wagner

a division of allied systems company

13985 S.W. Tualatin-Sherwood Road
Sherwood, Oregon 97140 U.S.A.

Telex 261985 ASCWAGNER MARINE

Telephone 503/625-2560 FAX 503/625-5132

Form 85-164 Feb 86