

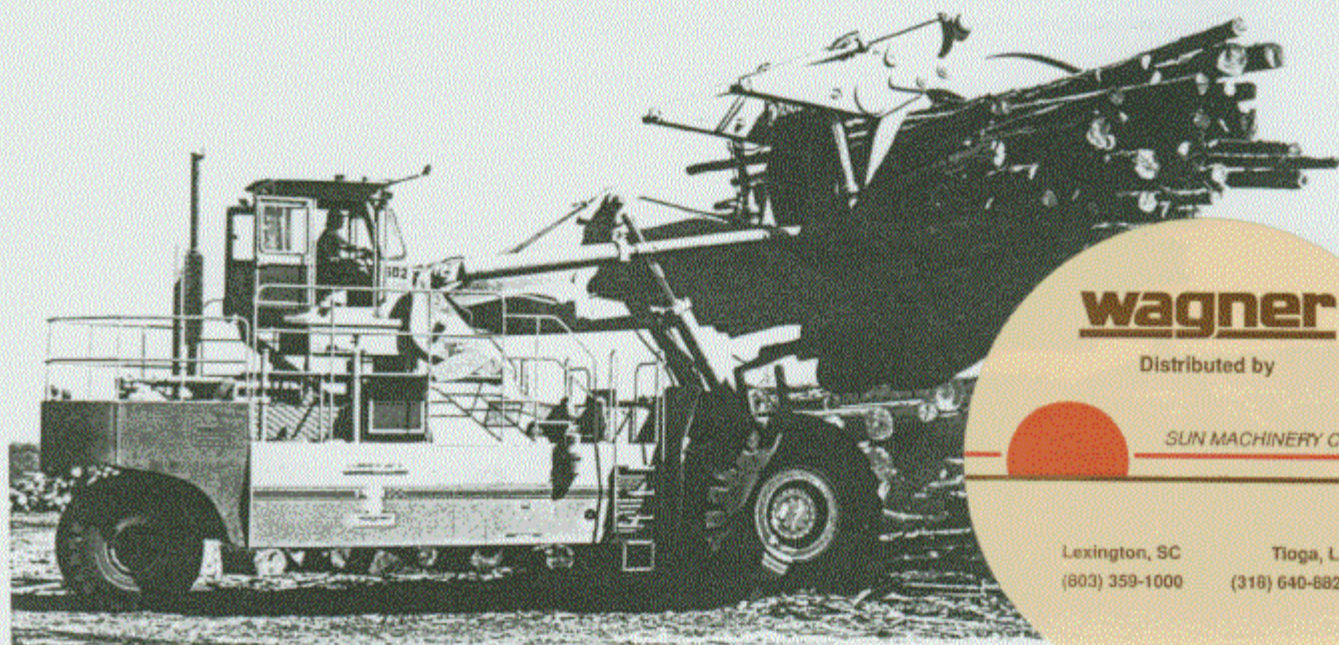
# wagner

a division of allied systems company

## SPECIFICATIONS

# L-100

## LUMBERJACK



### wagner

Distributed by

SUN MACHINERY COMPANY

Lexington, SC  
(803) 359-1000

Tioga, LA  
(318) 640-8820

### Engine

Make and Model	Cummins KT-19C-450
Max Horsepower	450 @ 2100 RPM
Max Torque	1350 Ft/Lbs @ 1600 RPM
Bore and Stroke	6.25" x 6"
No. of Cylinders	6
Displacement	1150 Cu/In (19 liters)

### Air Cleaner

Donaldson Two Stage Dry Type

### Electrical System

Type	24 Volt Negative Ground/24 Volt Start
Alternator	.75 AMP
Circuit Breakers (lights)	.30 AMP
Circuit Breakers (accessory)	.20 AMP
Batteries (2)	12 Volt-8D @ 205 AMP Hr. each

### Torque Converter

Clark Single Stage, 3 Elements

### Transmission

Clark 8420 Series Power Shift - Spur Gear; 4 Speeds Fwd and Rev.

Range	Ratio	Speed (Unladen)
1	4.07:1	3.8 mph ( 6.1 km/h)
2	2.26:1	6.6 mph (10.6 km/h)
3	1.29:1	11.0 mph (17.7 km/h)
4	.71:1	Blocked

### Axles

Fabricated	Allied Wagner
Make	Clark
Model	FD-85001 Series
Type	Planetary
Brakes	Air over Hydraulic Disc
Brake Size	1" x 37" Dia. (25mm x 940mm)

### Tires

Size (Front)	(Dual) 24.00 x 35-36PR
Size (Rear)	26.5 x 25-24PR

### Hydraulic System

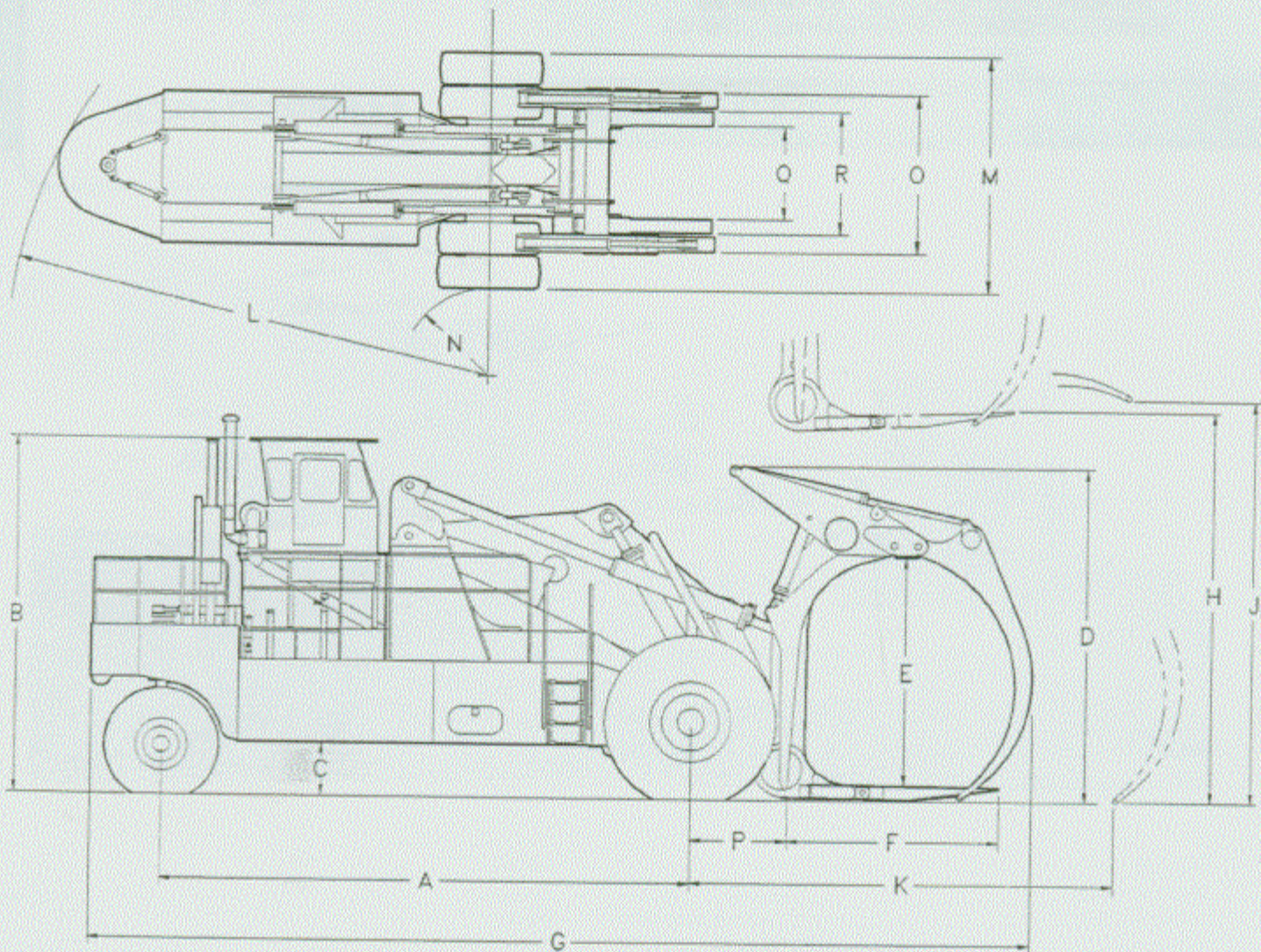
"Power Beyond" hydraulics with total capacity of all pumps in the system for multiple use simultaneously. Function controls are air over hydraulic or optional hydraulic over hydraulic.

Steering Cylinder (2)	4" x 20" (102mm x 508mm)
Hoist Cylinder (2)	10" x 107" (254mm x 2718mm)
Tilt Cylinder (2)	10" x 58" (254mm x 1473mm)
Holddown Cylinder (2)	6" x 56" (152mm x 1442mm)
Kickoff Cylinder (2)	6" x 36" (152mm x 914mm)

### Service Refill Capacities

Fuel Tank	450 Gals (1703 liters)
Hydraulic Oil	350 Gals (1325 liters)
Crankcase w/Filter	11 Gals ( 41 liters)
Cooling System	24 Gals ( 91 liters)

# L-100



## Dimensions (approximate)

A. Wheelbase	26' 0" ( 7925mm)	K. Distance from Axle to Holddown	
B. Height to Top of Cab	18' 0" ( 5486mm)	Tip for Reach	26' 0" ( 7925mm)
C. Ground Clearance Chassis	3' 0" ( 914mm)	L. Turning Radius Tail Swing	35' 6" (10820mm)
D. Carriage Height	16' 4" ( 4978mm)	M. Width Outside Chassis Tires	16' 8" ( 5080mm)
E. Mouth Opening	11' 2" ( 3404mm)	N. Inside Turning Radius	13' 6" ( 4115mm)
F. Tine Length	9' 6" ( 2896mm)	O. Carriage Width	11' 0" ( 3353mm)
G. Overall Length	44' 11" (13691mm)	P. Axle to Face of Carriage	
H. Ground to Fork-Hoist Up	19' 2" ( 5842mm)	Hoist Down	7' 11" ( 2413mm)
J. Ground to Holddown Tip		Q. Width Inside of Tines	6' 4" ( 1930mm)
Carriage Down/Holddown Up	20' 0" ( 6096mm)	R. Width Outside of Tines	8' 4" ( 2540mm)

## Weights and Functions (approximate)

Unit Weight	159,700 lbs ( 72,439 kg)	Forward Tilt @ Ground Level	35°
Drive End	100,900 lbs ( 45,767 kg)	Forward Tilt @ Max Height	10°
Tail End	58,800 lbs ( 26,671 kg)	Backward Tilt @ Ground Level	18°
Rated Lift Capacity 54"LC	100,000 lbs ( 45,359 kg)	Backward Tilt @ Max Height	43°

# wagner

a division of allied systems company

13985 S.W. Tualatin-Sherwood Road

Sherwood, Oregon 97140 U.S.A.

Telex 261985 ASCWAGNER MARINE

Telephone 503/625-2560 FAX 503/625-5132

Printed in USA

11/90

Form 85-176